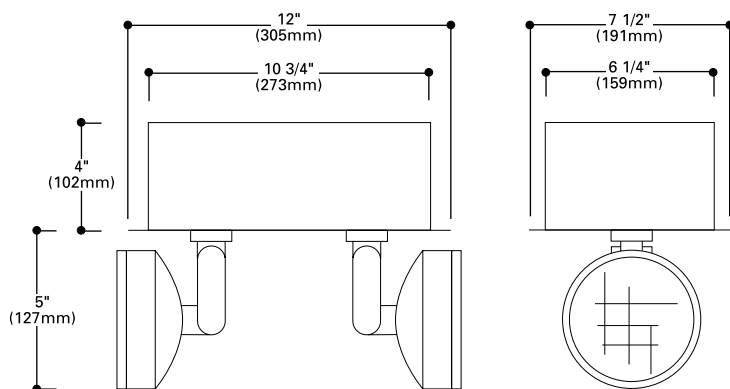
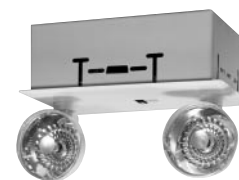


DIMENSIONS



DESCRIPTION

The ROB Recessed Oblong Series is smaller than most recessed units, making it ideal for locations with limited space; it can be recessed into either walls or ceilings. Wedge base lamps are standard, with halogen bi-pin lamps available on request. Mounting brackets are supplied to facilitate installation.



ROB Recessed Oblong

Steel Recessed
Emergency Unit
Incandescent Lamps

EMERGENCY LIGHTING

ORDERING INFORMATION

Catalog No.	Total Watts 1.5 Hours	DC Voltage	Lamp No.	Lamp Description	Ship Wt.
6ROB10	10	6	6RW5	6v, 5.4 watt incandescent wedge base	6
12ROB24	24	12	12RW12	12v, 12 watt incandescent wedge base	7

Note: Halogen Bi-Pin lamp available on request.
Option: Nickel Cadmium battery, add **NC**.

OPTIONS: Add to Catalog No.

Description	Code
Laser Option Installed	L*
Laser Option installed with pointer supplied	LP*

* See page 40 for time delay selection.

- Dual 120/277 VAC 60Hz input
- Solid state charging and transfer circuitry (no relays are used)
- Two step charger, temperature compensated
- Battery short circuit and reverse polarity protected
- Brownout protected; line latched transfer circuit
- Output is electronically short circuit and overload protected – no fuses required.
- Low voltage disconnect
- Meets or exceeds all current UL 924 requirements and applicable sections of the Life Safety Code
- Standard finish, durable white powder coat
- Housing fabricated with 20 gauge cold rolled steel
- Sealed maintenance-free long life lead calcium (standard) or nickel cadmium battery
- Mounting brackets supplied
- 18" and 27" rigid mounting bars available
- Recesses in ceiling or wall